

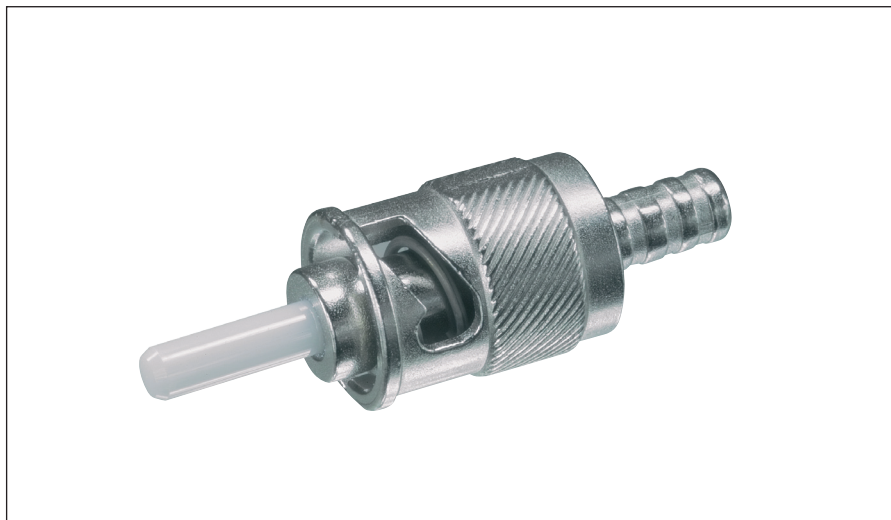
ST-Connector

Features

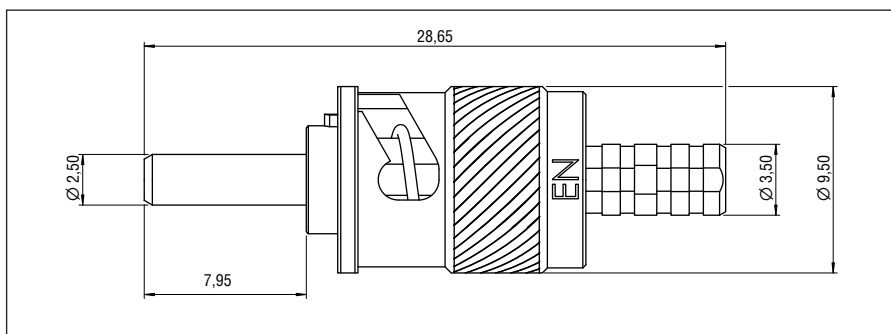
- One connector for different cables/fibers (EUROMICRON connector concept)
- 2.5 mm ferrule, axial spring loaded
- Bayonet twist secured

Use

- Networking
- Industry
- Measurement technique



Dimensions



Technical Data

Part number	EST5-C128-035M	EST6-C127-035S
Description	Multimode	Singlemode
Housing material*	metal	metal
Typical loss** IL / RL	≤ 0.2 dB	≤ 0.15 dB / ≥ 50 dB
Ferrule hole Ø	128 µm	127 µm
Ferrule material	ZrO ₂	ZrO ₂
Ferrule surface	flat after polishing	
Mating cycles	2.000	
Operation temperature	-40 °C – +85 °C	
Storage temperature	-40 °C – +90 °C	
Cable Ø	0.9 mm – 3.5 mm	
Cable-retention***	≥ 150 N	
Notes:	*BST and VST = nickel plated brass ** Loss depends on termination and fiber *** Depends on cable	

Stripping length

