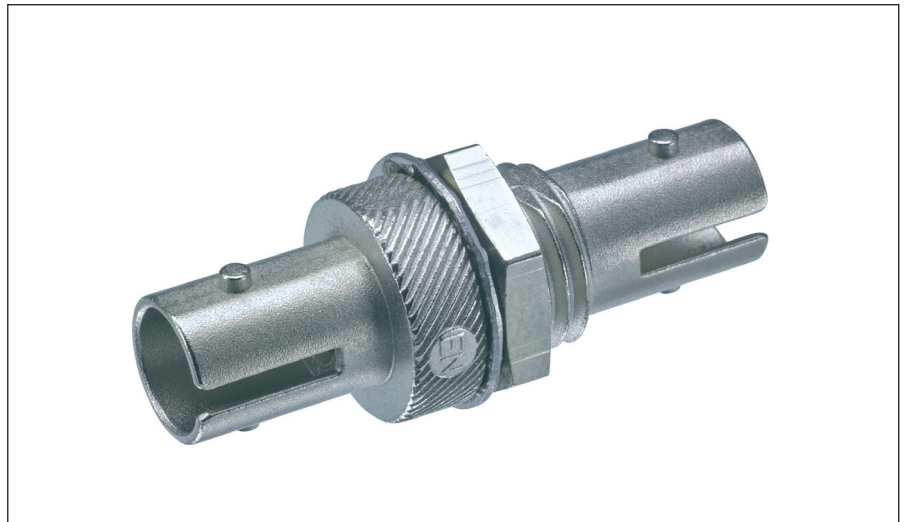


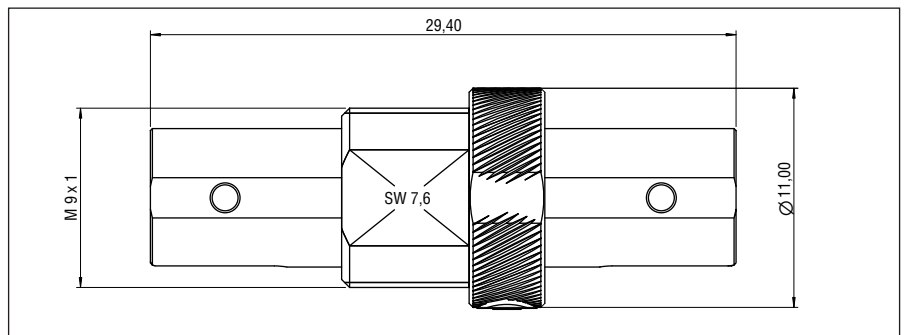
# ST-Adaptor

## Features

- Central fixing M9x1
- Washer and nut attached



## Dimensions



## Technical Data

Part number	ESK5-9010-M25M	ESK5-9010-C25M	ESK6-9010-C25S
Description	Multimode	Multimode	Singlemode
Typical loss	≤ 0.2 dB	≤ 0.15 dB	≤ 0.1 dB
Housing material	metal	metal	metal
Mating cycles	500	2.000	2.000
Material sleeve	phosphor-bronze, split	ZrO <sub>2</sub> , split	ZrO <sub>2</sub> , split
Operating temperature	-40 °C – +85 °C		
Storage temperature	-40 °C – +90 °C		
Fixing	M9x1 central		
Notes: Also available as hybrid-version SC-ST (see SC-Adaptors)			