

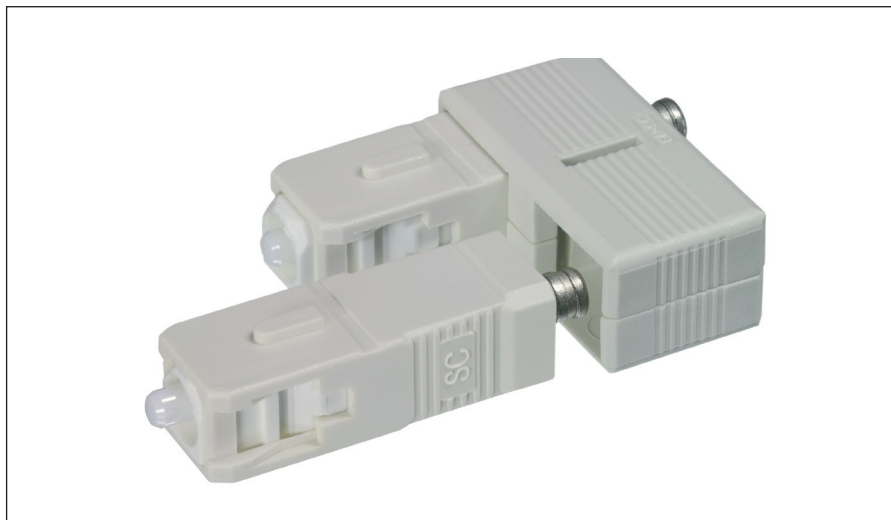
SC-Connector

Features

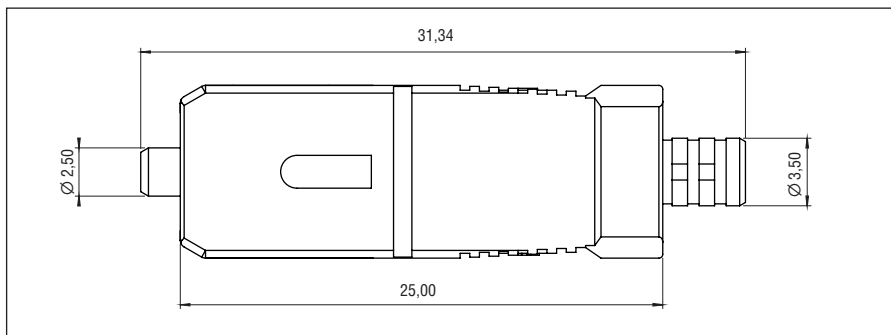
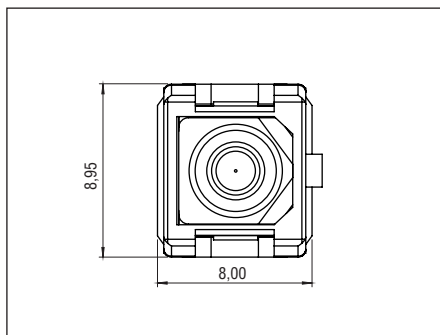
- One connector for Simplex/Duplex and different cables/fibers (EUROMICRON connector concept)
- 2.5 mm ferrule, axial spring loaded
- Latched Push-Pull locking

Use

- Networking, LAN
- Recommended/prescribed for cabling according ISO/IEC 11801 and DIN EN 50173
- SAN and computer centre



Dimensions



Technical Data

Part number	SC01-C128-035M	SC02-K126-K127-035S	SC08-K126-035A
Description	Multimode	Singlemode	APC
Housing material / colour	plastic / beige	plastic / blue	plastic / green
Typical loss* IL / RL	≤ 0.2 dB	≤ 0.1 dB / ≥ 50 dB	≤ 0.1 dB / ≥ 60 dB
Ferrule hole Ø	128 µm	126 µm / 127 µm	126 µm
Ferrule material	ZrO ₂	ZrO ₂	ZrO ₂ , step
Ferrule surface	convex after polishing		
Mating cycles	2.000		
Operating temperature	-40 °C – +85 °C		
Storage temperature	-40 °C – +90 °C		
Cable Ø	0.9 mm – 3.5 mm		
Cable retention**	≥ 150 N		

Notes: *Loss depends on termination and fiber ** depends on cable

Stripping length

