

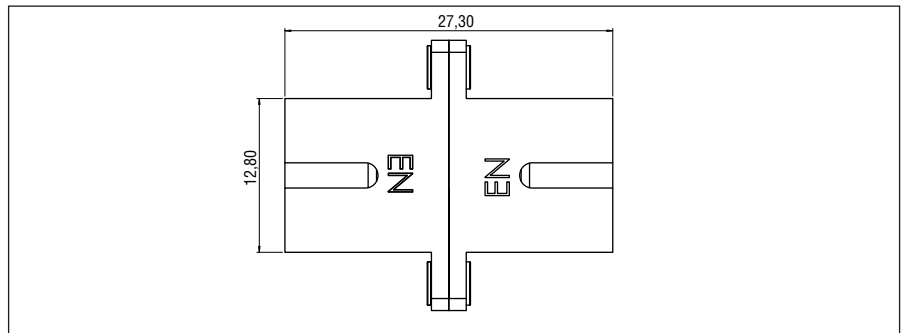
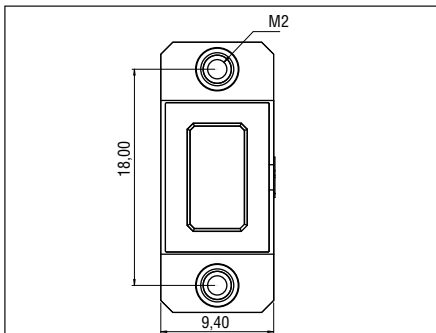
# SC-Adaptor

## Features

- Flange mount 2 hole
- 2 bolts M2x6 attached
- Extreme mechanical stability



## Dimensions



## Technical Data

Part number	SCK1-9413-M25M	SCK1-9413-K25M	SCK2-9413-K25S	SCK8-9413-K25A
Description	Multimode	Multimode	Singlemode	APC
Typical loss	≤ 0.2 dB	≤ 0.15 dB	≤ 0.1 dB	≤ 0.1 dB
Housing material / colour of interior	metal / beige	metal / beige	metal / blue	metal / green
Mating cycles	500	2.000	2.000	2.000
Material sleeve	phosph.-bronze, split	ZrO <sub>2</sub> , split	ZrO <sub>2</sub> , split	ZrO <sub>2</sub> , split
Operating temperature	-40 °C – +85 °C			
Storage temperature	-40 °C – +90 °C			
Fixing	2-hole-flange			