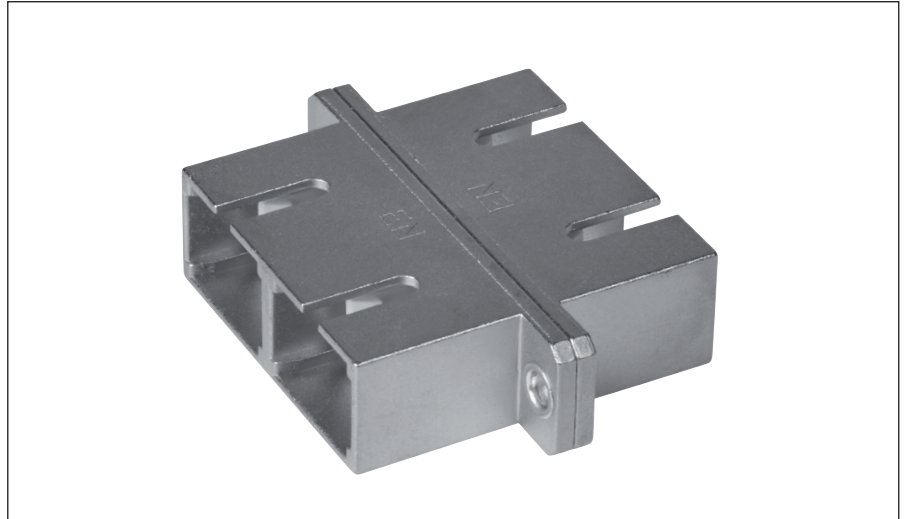


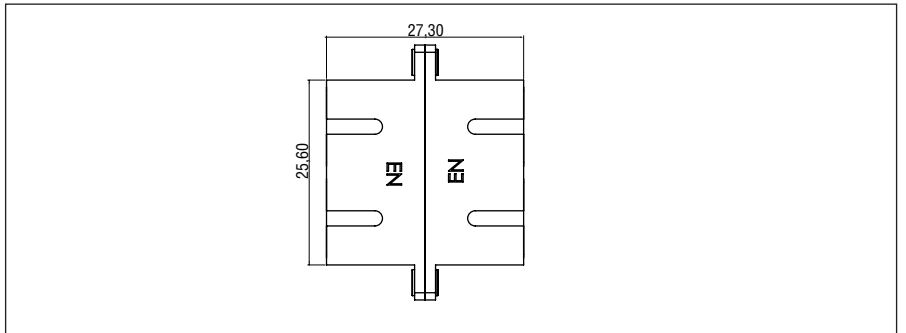
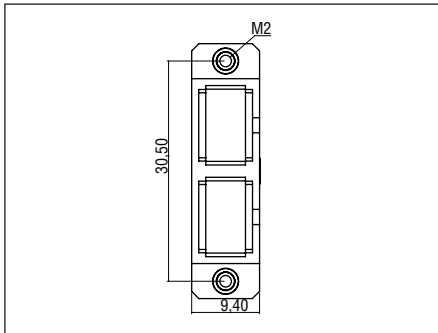
SC-Duplex-Adaptor

Features

- Flange mount 2 hole
- 2 bolts M2x6 attached
- Extreme mechanical stability



Dimensions



Technical Data

| Part number | SDK1-9426-M25M | SDK1-9426-K25M | SDK2-9426-K25S | SDK8-9426-K25A |
|---------------------------------------|-----------------------|--------------------------|--------------------------|--------------------------|
| Description | Multimode | Multimode | Singlemode | APC |
| Typical loss | ≤ 0.2 dB | ≤ 0.15 dB | ≤ 0.1 dB | ≤ 0.1 dB |
| Housing material / colour of interior | metal / beige | metal / beige | metal / blue | metal / green |
| Mating cycles | 500 | 2.000 | 2.000 | 2.000 |
| Material sleeve | phosph.-bronze, split | ZrO ₂ , split | ZrO ₂ , split | ZrO ₂ , split |
| Operating temperature | -40 °C – +85 °C | | | |
| Storage temperature | -40 °C – +90 °C | | | |
| Fixing | 2-hole-flange | | | |