

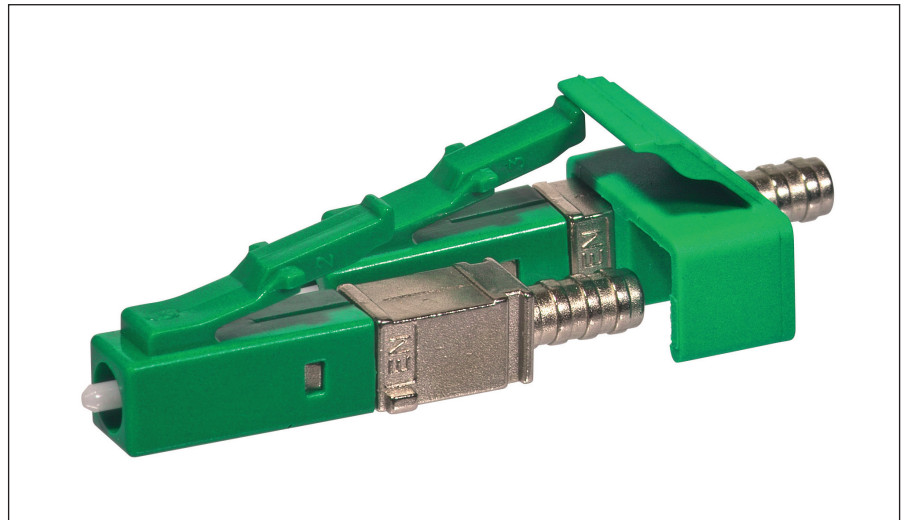
LC-Connector

Features

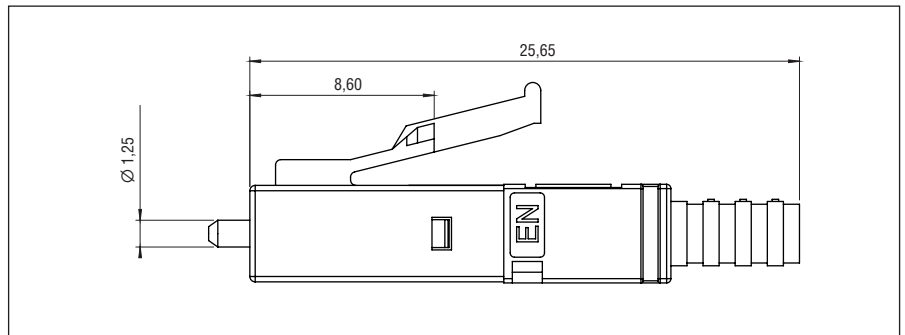
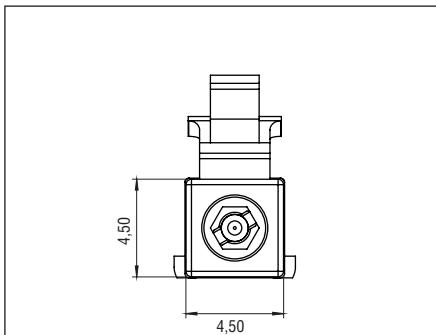
- Small Form Factor (SFF) connector
- 1.25 mm ferrule, axial spring loaded
- One connector type for Simplex / Duplex and different cables/fibers (EUROMICRON connector concept)
- Latched Push-Pull locking
- High mechanical loaded ability

Use

- Networking
- Computer centre
- Telecommunication



Dimensions



Technical Data

Part number	LC01-K128-030M	LC02-K126-030S	LC08-K126-030A
Description	Multimode	Singlemode	APC
Housing material / colour	plastic / beige	plastic / blue	plastic / green
Typical loss* IL / RL	≤ 0.2 dB	≤ 0.1 dB / ≥ 50 dB	≤ 0.1 dB / ≥ 60 dB
Ferrule hole Ø	128 µm	126 µm	126 µm
Ferrule material	ZrO ₂	ZrO ₂	ZrO ₂ , step
Ferrule surface	convex after polishing		
Mating cycles	1.000		
Operating temperature	-40 °C – +85 °C		
Storage temperature	-40 °C – +90 °C		
Cable Ø	0.9 – 3.0 mm		
Cable retention**	≥ 100 N		

Notes: * Loss depends on termination and fiber ** depends on cable

Stripping length

<ul style="list-style-type: none"> Secondary coating 900 µm.. 19 mm Primary coating 250 µm 2 mm Fiber 125 µm 14 mm Kevlar total length..... 6 mm 	<p>① Single fiber loose buffer cut to 7 mm.</p>
--	---