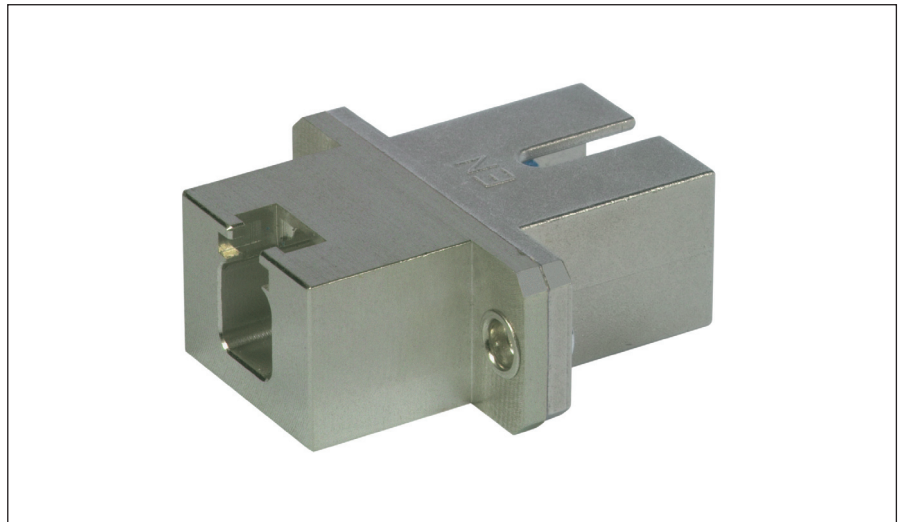


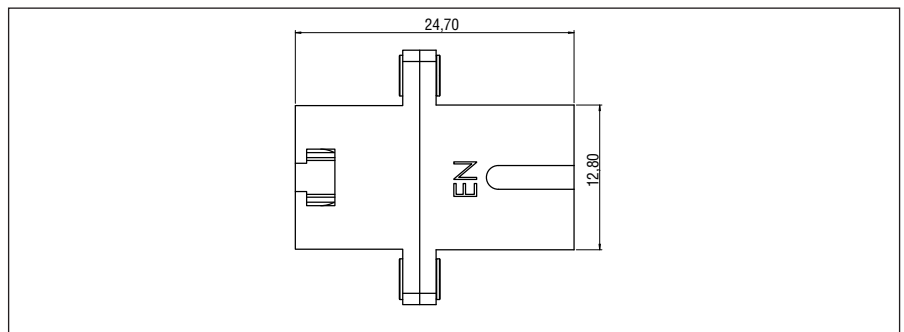
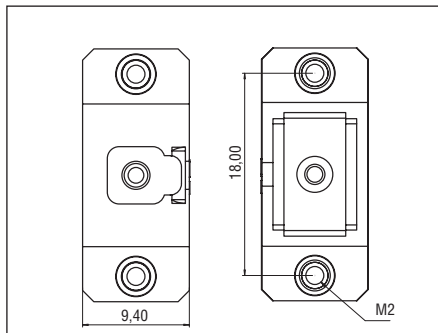
LC-SC-Adaptor

Features

- Adaptor with ceramic-step-sleeve
- Flange mount 2 hole
- 2 bolts M2x6 attached



Dimensions



Technical Data

Part number	HBK2-LCSC-K25S
Description	Singlemode
Housing material	metal
Typical loss	≤ 0.5 dB
Mating cycles	500
Material sleeve	ZrO ₂ , split
Operating temperature	-40 °C – +85 °C
Storage temperature	-40 °C – +90 °C
Fixing	2-hole-flange