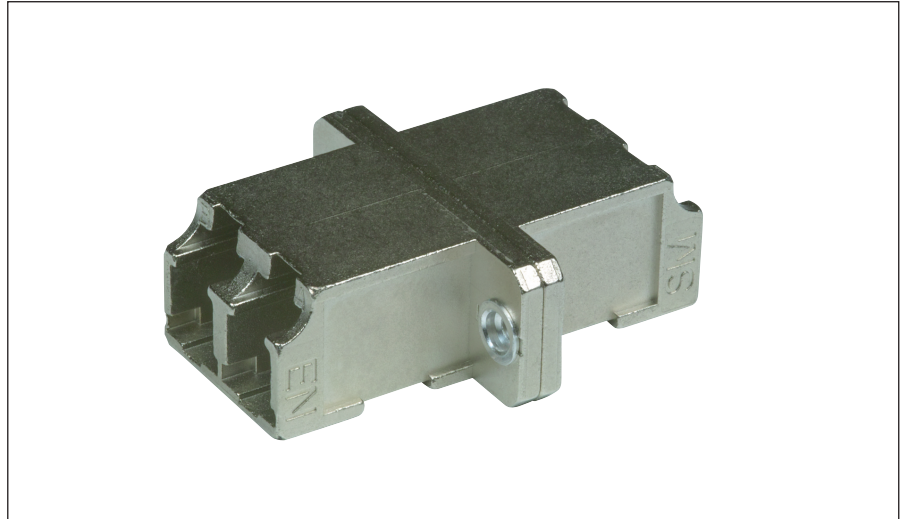


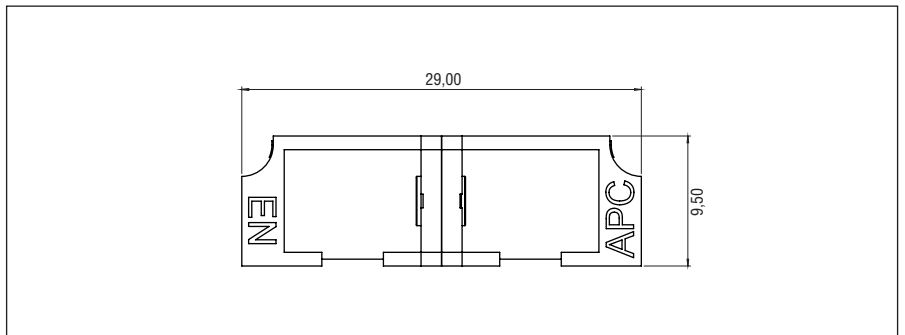
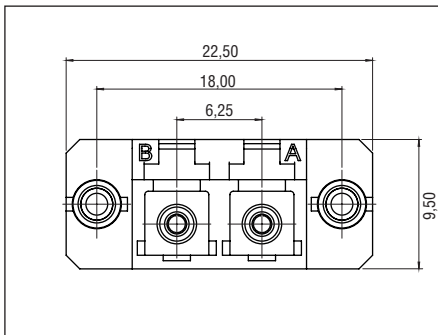
LC-Duplex-Adaptor

Features:

- Metal work
- Flange mount
- Extreme mechanical stability
- SC Simplex Footprint
- 2 bolts M2x6 attached



Dimensions



Technical Data

Part number	LDK1-9426-K12M	LDK2-9426-K12S	LDK8-9426-K12A
Description	Multimode	Singlemode	APC
Housing material	metal	metal	metal
Typical loss	≤ 0.15 dB	≤ 0.1 dB	≤ 0.1 dB
Mating cycles	1.000		
Material sleeve	ZrO ₂ , split		
Operating temperature	-40 °C – +85 °C		
Storage temperature	-40 °C – +90 °C		
Fixture	2-hole-flange		