

FC-Connector

Features

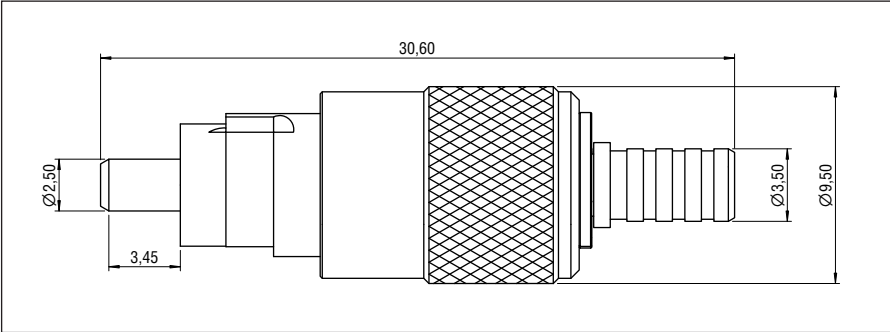
- One connector for different cables/fibers (EUROMICRON connector concept)
- 2.5 mm ferrule, axial spring loaded
- Thread with twist secured
- Wide-key*

Use

- Telecommunication
- Measurement technique



Dimensions



Technical Data

Part number	FCP1-K128-035M	FCP2-K126-K127-035S	FCP8-K126-035A
Description	Multimode	Singlemode	APC
Housing material / knurl	metal / left-right knurl	metal / knurl axially parallel	metal / knurl axially parallel
Typical loss** IL / RL	≤ 0.2 dB	≤ 0.1 dB / ≥ 50 dB	≤ 0.1 dB / ≥ 60 dB
Ferrule hole Ø	128 µm	126 µm / 127 µm	126 µm
Ferrule material	ZrO ₂	ZrO ₂	ZrO ₂ , step
Ferrule surface	convex after polishing		
Mating cycles	2.000		
Operating temperature	-40 °C – +85 °C		
Storage temperature	-40 °C – +90 °C		
Cable Ø	0.9 mm – 3.5 mm		
Cable retention***	≥ 150 N		

Notes: * Small-key upon request ** Loss depends on termination and fiber *** Depends on cable

Stripping length

