

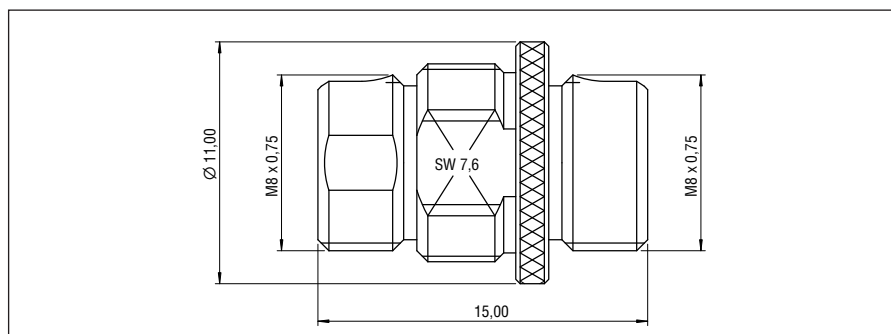
FC-Adaptor with knurl

Features

- Central fixing M9x0.5
- Fits into a patch panel with ST cut out
- Washer and nut attached
- Multimode: left-right knurl
- Singlemode: knurl axially parallel
- APC: knurl axially parallel
- Wide-key*



Dimensions



Technical Data

Part number	HBK1-FCFC-K25M	HBK2-FCFC-K25S	HBK8-FCFC-K25A
Description	Multimode	Singlemode	APC
Typical loss	≤ 0.15 dB	≤ 0.1 dB	≤ 0.1 dB
Housing material	metal	metal	metal
Mating cycles	2.000	2.000	2.000
Material sleeve	ZrO ₂ , split	ZrO ₂ , split	ZrO ₂ , split
Operating temperature	-40 °C – +85 °C		
Storage temperature	-40 °C – +90 °C		
Fixing	M9x0.5 central		
Notes: *Small-key upon request			