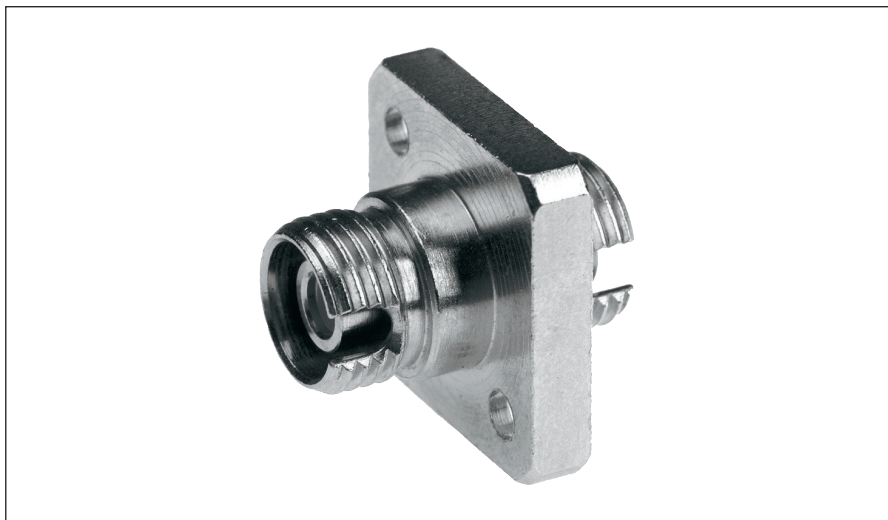


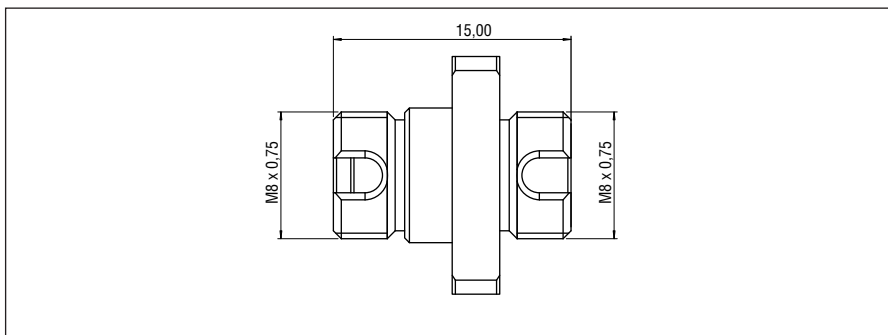
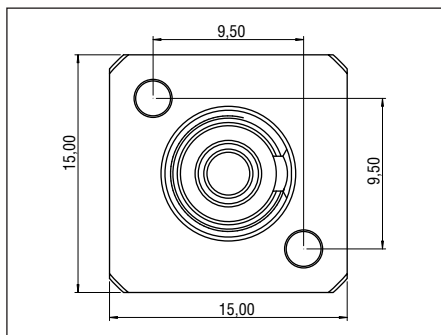
FC-Adaptor with flange

Features

- Flange mount 2 hole
- Wide-key*



Dimensions



Technical Data

Part number	FCK1-1515-K25M	FCK2-1515-K25S	FCK8-1515-K25A
Description	Multimode	Singlemode	APC
Typical loss	≤ 0.15 dB	≤ 0.1 dB	≤ 0.1 dB
Housing material	metal	metal	metal
Mating cycles	2.000	2.000	2.000
Material sleeve	ZrO ₂ , split	ZrO ₂ , split	ZrO ₂ , split
Operating temperature	-40 °C – +85 °C		
Storage temperature	-40 °C – +90 °C		
Fixing	2-hole-flange		
Notes: *Small-key upon request			