

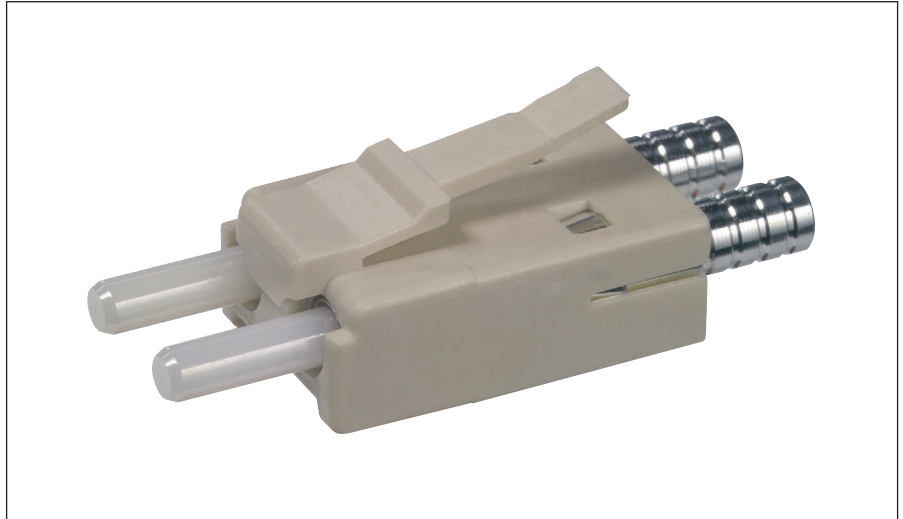
EM-RJ Connector

Features

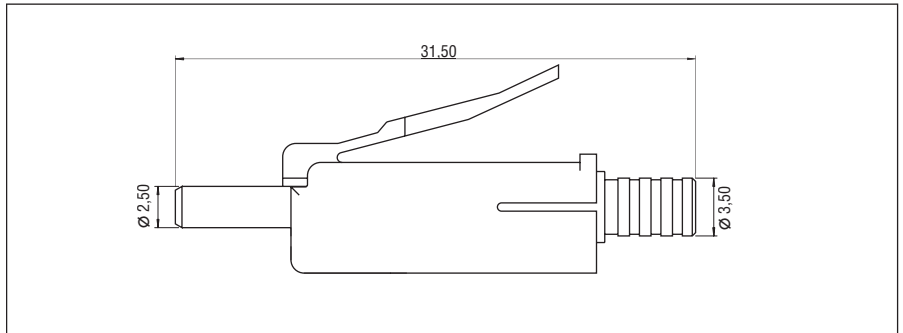
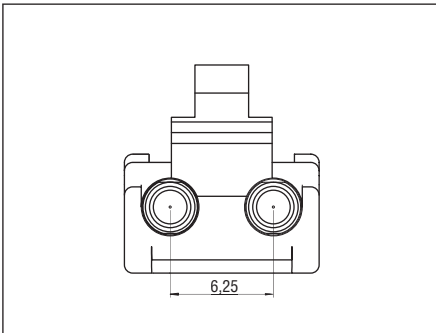
- Duplex connector with the face of a RJ 45 connector
- Convenient for use in industrial networks by utilisation of the housing of the RJ 45
- 2.5 mm ferrule, single and axial spring-loaded
- Locked Push-Pull Latched

Use:

- Network (LAN, FTTH, FTTD), Industrial cabling, Industrial Ethernet



Dimensions



Technical Data

Part number	RJ01-K128-035M	RJ02-K126-035S	RJ08-K126-035A
Description	Multimode	Singlemode	APC
Gehäusematerial / Farbe	plastic / metal, beige	plastic / metal, blue	plastic / metal, green
Typical loss* IL / RL	≤ 0.2 dB	≤ 0.15 dB / ≥ 50 dB	≤ 0.1 dB / ≥ 60 dB
Ferrule-Hole-Ø	128 µm	126 µm	126 µm
Ferrule-Material	ZrO ₂	ZrO ₂	ZrO ₂
Mating cycles	1.000	1.000	1.000
Ferrule-Surface	convex after polishing		
Operating temperature	-40 °C – +85 °C		
Storage temperatur	-40 °C – +90 °C		
Cable-Ø **	2,0 mm – 5,0 mm		
Cable retention***	≥ 150 N		

*Loss depends on termination and fiber **additional cable retention for industrial cable available ***depends on cable

Stripping length

