

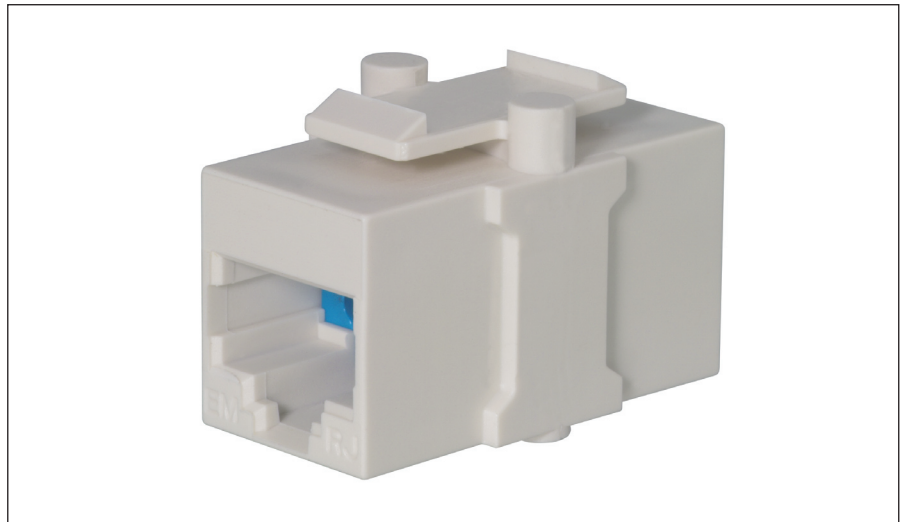
EM-RJ Adaptor

Features

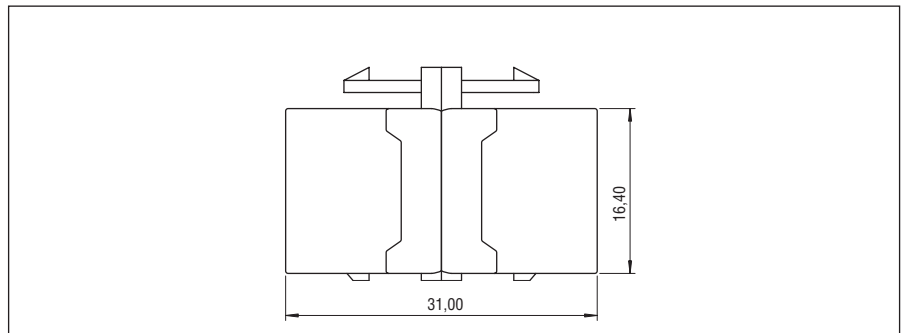
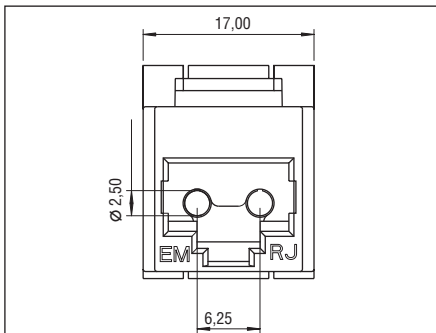
- 2-fold-Adaptor
- Dimensions of the RJ45

Use

- Wall outlets
- RJ45 panels



Dimensions



Technical Data

Part number	RJK1-1717-M25M	RJK1-1717-K25M	RJK2-1717-K25S	RJK8-1717-K25A
Description	Multimode	Multimode	Singlemode	APC
Typical loss	≤ 0.2 dB	≤ 0.15 dB	≤ 0.1 dB	≤ 0.1 dB
Housing material / colour of interior	plastic / beige	plastic / beige	plastic / blue	plastic / green
Mating cycles	500	1.000	1.000	1.000
Material sleeve	phosph.-bronze, split	ZrO ₂ , split	ZrO ₂ , split	ZrO ₂ , split
Operating temperature	-40 °C – +85 °C			
Storage temperature	-40 °C – +90 °C			
Fixture	Clip			