

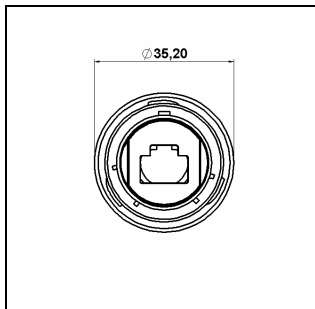
EM-RJ IP67 Connector housing

Features

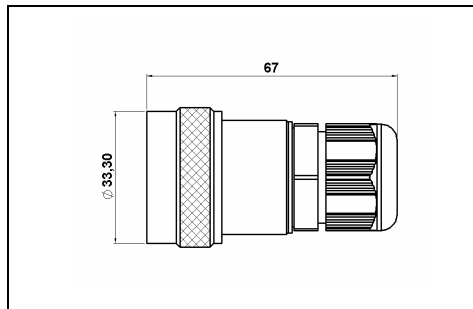
- § Protection class (plugged in) IP67
- § Quick lock 1/3 turn, producing a clearly audible and perceptible snap-in noise
- § Quick installation without tools
- § connector can easily be removed from housing



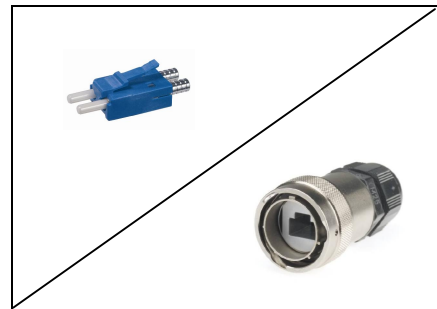
Dimensions



Housing, front view



Housing, lateral view



Connector + Housing

Technical Data

Part number – Housing	IP67-STGH-EN01		
Part number - Connector	RJ01-K128-035M	RJ02-K126-035S	RJ08-K126-035A
Description	Multimode	Single mode	APC
Material / colour of housing	plastic, metal / beige	plastic, metal / blue	plastic, metal / green
Typical loss* IL/RL	≤ 0.2 dB	≤ 0.15 dB / ≥ 50 dB	≤ 0.1 dB / ≥ 60 dB
Ferrule-Hole-Ø	128 µm	126 µm	126 µm
Ferrule material	ZrO ₂		
Mating cycles	1.000		
Ferrule surface	Convex after polishing		
Operating temperature	-40°C / +85°C		
Storage temperature	-40°C / +90°C		
Cable- Ø	8.0 – 10.0 mm		
Cable retention**	≥ 250 N (≥ 1.000 N available on request)		
Protection class	IP67 (only when plugged in)		
Note: *Depending on fibre and manufacture. **Depends on cable.			
Coding by two further angle orientations available on request (62.5° / 180°)			
Also available as POF.		For stripping dimensions, see EM-RJ.	