

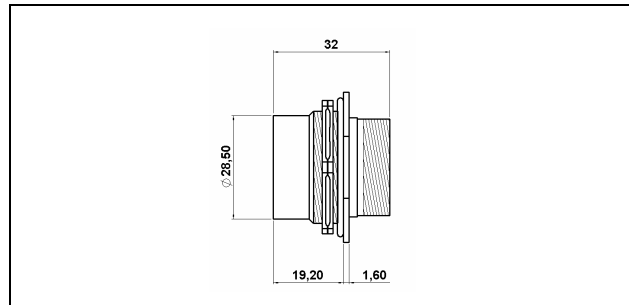
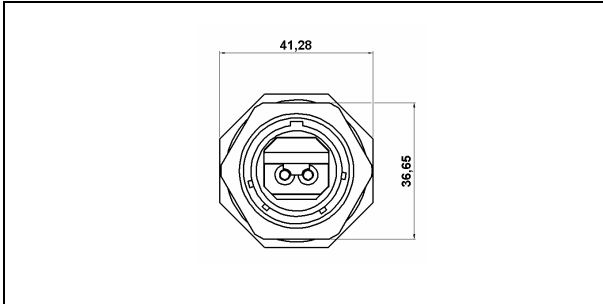
EM-RJ IP67 Adaptor with central fastening

Features

- § Protection class (when plugged in and assembled) IP67
- § Quick lock 1/3 turn, producing a clearly audible and perceptible snap-in noise
- § Quick installation without tools



Dimensions



Technical Data

Part number	IP67-RZK1-K25M	IP67-RZK2-K25S	IP67-RZK8-K25A
Description	Multi mode	Single mode	APC
Typical loss	≤ 0.15 dB	≤ 0.1 dB	≤ 0.1 dB
Material of sleeve	ZrO ₂ , slotted	ZrO ₂ , slotted	ZrO ₂ , slotted
Material/colour of interior case	Plastic / beige	Plastic / blue	Plastic / green
Material of housing	Metal		
Mating cycles	1.000		
Operating temperature	-40°C / +85°C		
Storage temperature	-40°C / +90°C		
Mode of fastening	Central fastening		
Protection class	IP67 (only when plugged in and assembled)		
Also available as POF.			