

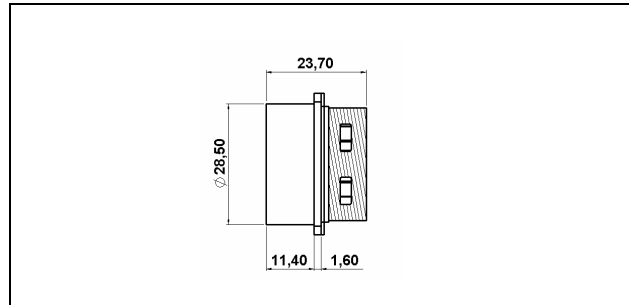
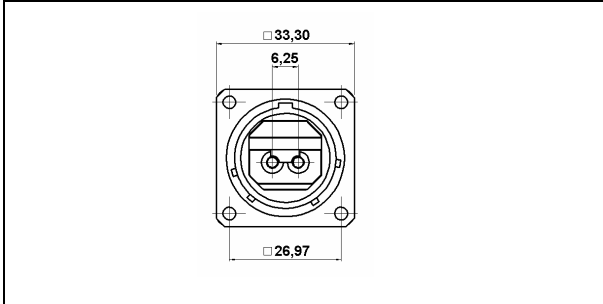
EM-RJ IP67 Adaptor with flange

Features

- § Protection class (when plugged in and assembled) IP67
- § Quick lock 1/3 turn, producing a clearly audible and perceptible snap-in noise
- § Quick installation without tools



Dimensions



Technical data

| Part number | IP67-RFK1-K25M | IP67-RFK2-K25S | IP67-RFK8-K25A |
|----------------------------------|---|----------------------------|----------------------------|
| Description | Multimode | Singlemode | APC |
| Typical loss | ≤ 0.15 dB | ≤ 0.1 dB | ≤ 0.1 dB |
| Material of sleeve | ZrO ₂ , slotted | ZrO ₂ , slotted | ZrO ₂ , slotted |
| Material/colour of interior case | Plastic / beige | Plastic / blue | Plastic / green |
| Material of housing | Metal | | |
| Connecting cycles | 1.000 | | |
| Operating temperature | -40°C / +85°C | | |
| Storage temperature | -40°C / +90°C | | |
| Mode of fastening | Flange | | |
| Protection class | IP67 (only when plugged in and assembled) | | |
| Also available as POF. | | | |