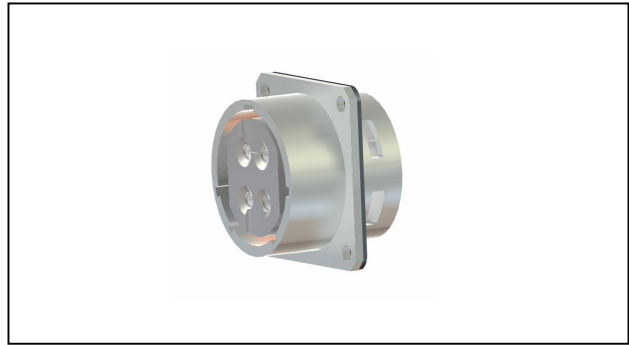


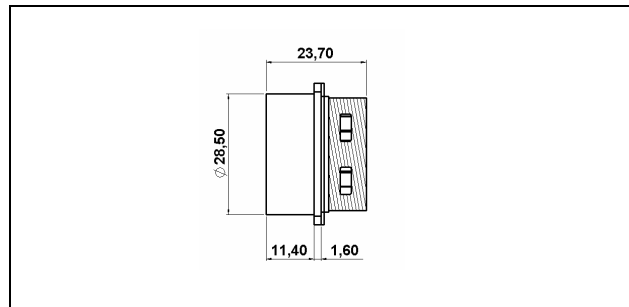
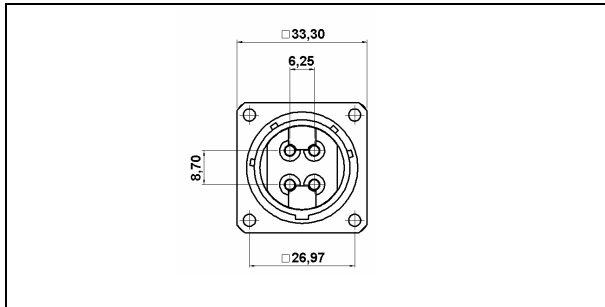
EM-RJ IP67 4-fold-Adaptor with flange

Features

- § Protection class (when plugged in and assembled) IP67
- § Quick lock 1/3 turn, producing a clearly audible and perceptible snap-in noise
- § Quick installation without tools



Dimensions



Technical data

Part number	IP67-2RFK-K25M	IP67-2RFK-K25S	IP67-2RFK-K25A
Description	Multimode	Singlemode	APC
Typical loss	≤ 0.15 dB	≤ 0.1 dB	≤ 0.1 dB
Material of sleeve	ZrO ₂ , slotted	ZrO ₂ , slotted	ZrO ₂ , slotted
Material/colour of interior case	Plastic / beige	Plastic / blue	Plastic / green
Material of housing	Metal		
Connecting cycles	1.000		
Operating temperature	-40°C / +85°C		
Storage temperature	-40°C / +90°C		
Mode of fastening	Flange		
Protection class	IP67 (only when plugged in and assembled)		
Also available as POF.			