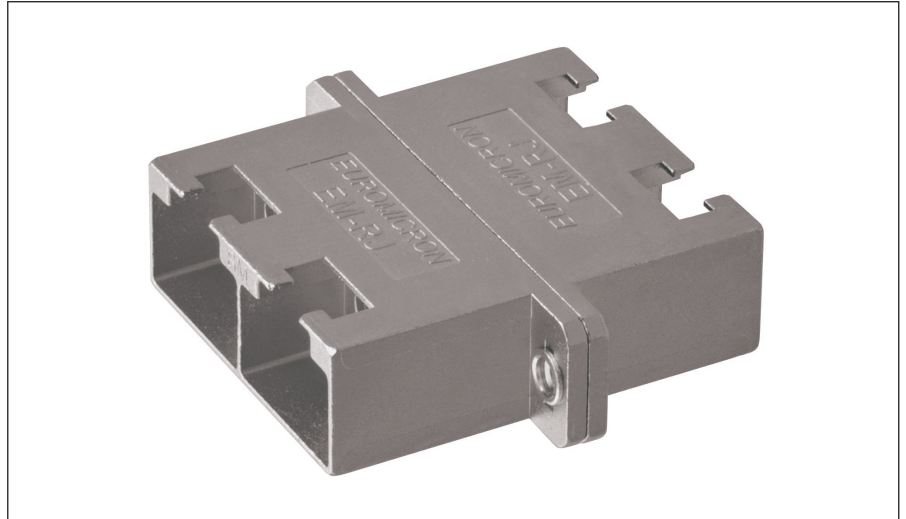


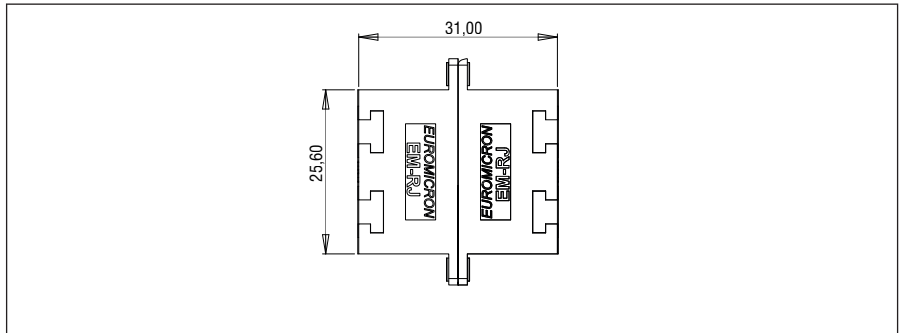
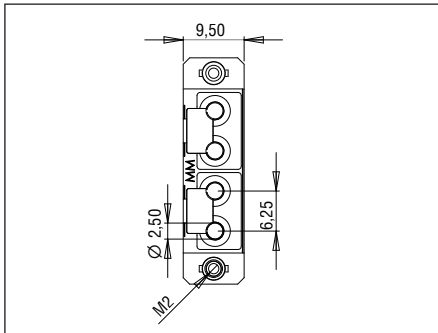
EM-RJ 4-fold-Adaptor

Features

- Flange mount
- 2 bolts M2x6 attached
- Outside dimensions of the SC-duplex-adaptor



Dimensions



Technical Data

Part number	R4K1-9526-M25M	R4K1-9526-K25M	R4K2-9526-K25S	R4K8-9526-K25A
Description	Multimode	Multimode	Singlemode	APC
Typical loss	≤ 0.2 dB	≤ 0.15 dB	≤ 0.1 dB	≤ 0,1 dB
Housing material/color	metal	metal	metal	metal
Mating cycles	500	1.000	1.000	1.000
Material sleeve	phosph.-bronze, slit	ZrO ₂ , slit	ZrO ₂ , slit	ZrO ₂ , slit
Operating temperature	-40 °C – +85 °C			
Storage temperature	-40 °C – +90 °C			
Fixture	2 hole flange			