

DIN-Connector with spring

Features

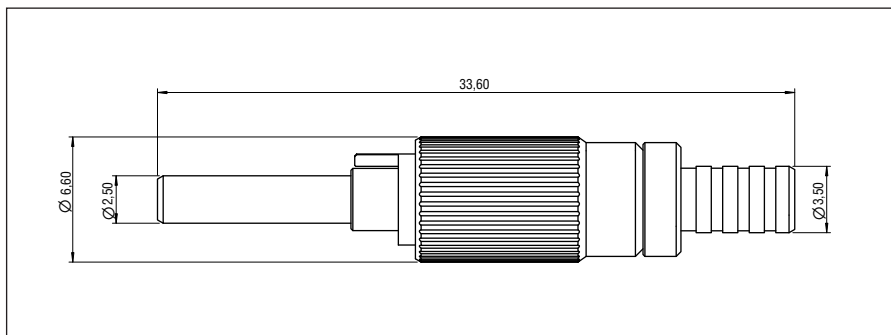
- One connector for different cables/fibers (EUROMICRON connector concept)
- 2.5 mm ferrule, axial spring loaded
- Thread with twist secured

Use

- Telecommunication
- Networking



Dimensions



Technical Data

Part number	DNF2-K126-035S	DNF2-K127-035S	DNF8-K126-035A
Description	Singlemode	Singlemode	APC
Housing material / knurl	metal / knurl axially parallel	metal / knurl axially parallel	metal / knurl axially parallel
Typical loss* IL / RL	≤ 0.1 dB / ≥ 50 dB	≤ 0.1 dB / ≥ 50 dB	≤ 0.1 dB / ≥ 60 dB
Ferrule hole Ø	126 µm	127 µm	126 µm
Ferrule material	ZrO ₂	ZrO ₂	ZrO ₂ , step
Ferrule surface	convex after polishing		
Mating cycles	2.000		
Operating temperature	-40 °C – +85 °C		
Storage temperature	-40 °C – +90 °C		
Cable Ø	0.9 mm – 3.5 mm		
Cable retention**	≥ 150 N		

Notes: * Loss depends on termination and fiber ** Depends on cable

Stripping length

■ Secondary coating 900 µm.. 17 mm	
■ Primary coating 250 µm 3 mm	
■ Fiber 125 µm 21 mm	
■ Kevlar total length..... 6 mm	