

DIN-Connector

Features

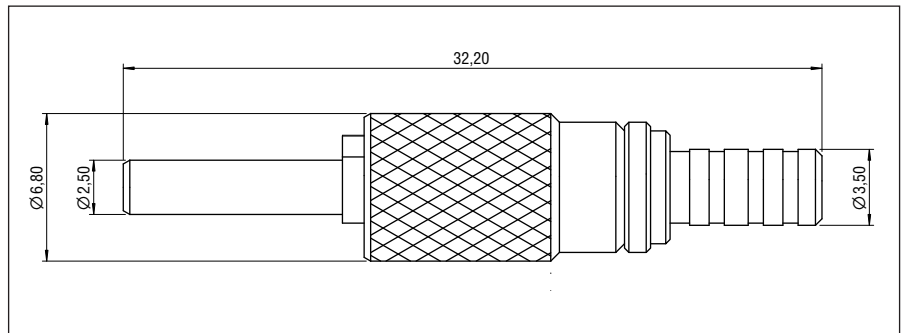
- One connector for different cables/fibers (EUROMICRON connector concept)
- 2.5 mm ferrule
- Thread with twist secured

Use

- Telecommunication
- Networking



Dimensions



Technical Data

Part number	DIN1-K128-035M	DIN2-K127-035S	DIN2-K126-035S
Description	Multimode	Singlemode	Singlemode
Housing material / knurl	metal / left-right knurl	metal / knurl axially parallel	metal / knurl axially parallel
Typical loss* IL / RL	≤ 0.2 dB	≤ 0.1 dB / ≥ 50 dB	≤ 0.1 dB / ≥ 50 dB
Ferrule hole Ø	128 µm	127 µm	126 µm
Ferrule material	ZrO ₂	ZrO ₂	ZrO ₂
Ferrule surface	convex after polishing		
Matings cycles	2.000		
Operating temperature	-40 °C – +85 °C		
Storage temperature	-40 °C – +90 °C		
Cable Ø	0.9 mm – 3.5 mm		
Cable retention**	≥150 N		

Notes: * Loss depends on termination and fiber ** Depends on cable

Stripping length

■ Secondary coating 900 µm.. 17 mm	
■ Primary coating 250 µm 2 mm	
■ Fiber 125 µm21 mm	
■ Kevlar total length..... 7 mm	