


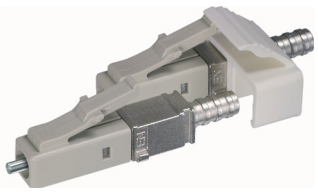




Connectors with metal ferrule

Specific features

- Smallest hole diameter 50 µm
- Highest quality
- Highest precision in concentricity and diameters
- Use with standardized accessories
- Maximum hole diameter 2 mm (depending on ferrules)

In the area of measurement engineering, sensors and laser technique is a need of special fibers and cables with different diameters and designs. For these applications we offer a wide range of customized connecting solutions and also standardized connectors with metal ferrules and different drill size holes.

Standard connectors

FCP1-Mxxx*-035M	LC01-Mxxx*-030M	F5R1-Mxxx*-035M
		
BST1-Mxxx*-035M	SC01-Mxxx*-035M	F5S1-Mxxx*-035M
		

Standard connector face

Type of connector	*Ferrule hole diameter			
	128 µm	up to 500 µm	up to 700 µm	up to 1.000 µm
LC	■	■		
FC	■	■	■	■
ST	■	■	■	■
SC	■	■	■	■
DIN	■	■	■	■
FSMA	■	■	■	■
EM-RJ	■	■	■	■

Notes: Special configuration upon request