

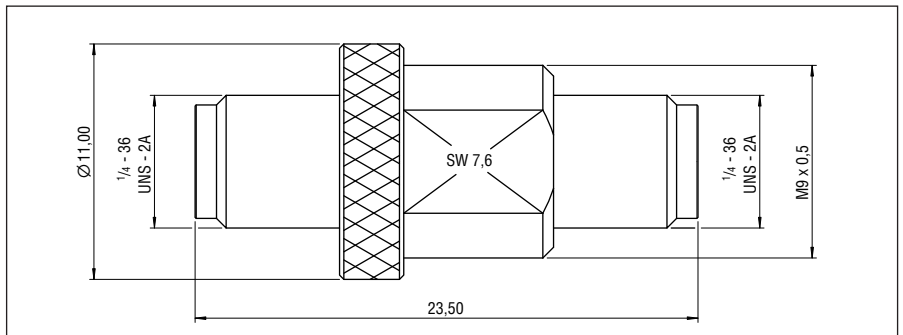
FSMA Adaptor with knurl

Features

- Central fixing
- Washer and nut attached
- Multimode: left-right knurl
- Singlemode: knurl axially parallel



Dimensions



Technical Data

Part number	HBK1-FSFS-K31M	HBK2-FSFS-K31S
Description	Multimode	Singlemode
Typical loss	≤ 0.2 dB	≤ 0.15 dB
Housing material	metal	metal
Mating cycles	1.000	1.000
Material sleeve	ZrO ₂ , split	ZrO ₂ , split
Operating temperature	-40 °C – +85 °C	
Storage temperature	-40 °C – +90 °C	
Fixing	M9x0.5 central	