

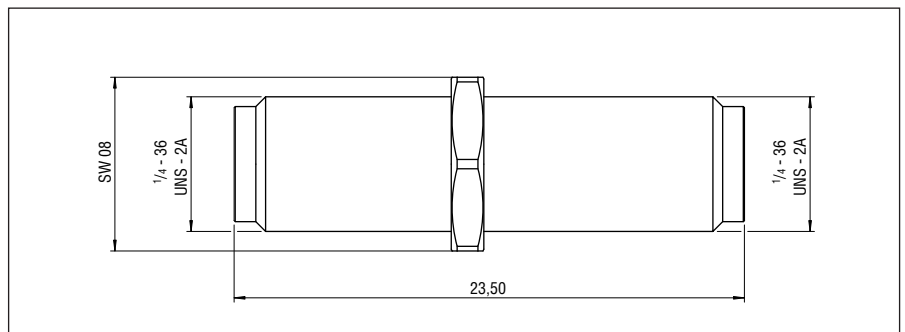
# FSMA Adaptor

## Features

- Metal guide
- Central fixing
- Washer and nut attached



## Dimensions



## Technical Data

Part number	<b>FSK1-SW08-M31M</b>
Description	Multimode
Typical loss	≤ 0.3 dB
Housing material	metal
Mating cycles	500
Operating temperature	-40 °C – +85 °C
Storage temperature	-40 °C – +90 °C
Fixing	1/4-36 UNS-2A